



The only speed bump in the world with a 10-year warranty

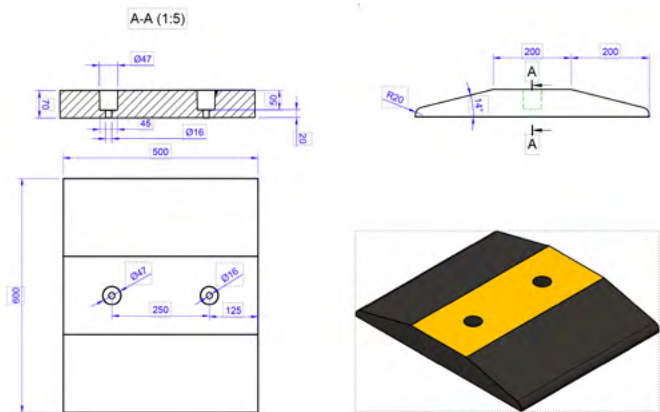
GreenBump® is a high-performance speed bump, specifically designed for areas with heavy and intensive traffic. Manufactured in Europe (Belgium) from hard plastic waste previously considered non-recoverable, it is 100% recyclable and combines robustness, long service life, and environmental responsibility.

GreenBump® is easy to install and comes with a 10-year warranty, making it an ideal and sustainable solution for securing logistics platforms, industrial sites, and commercial areas.

Key benefits

- + Exceptional resistance to **heavy goods vehicles** and **intensive traffic**
- + Up to **20 times** more durable than conventional speed bumps
- + **European manufacturing** – short supply chain
- + **Easy installation**
- + **10-year warranty**
- + **100% recyclable**, made from hard plastic waste
- + **Positive environmental impact**

Each GreenBump® helps save approximately **20 kg of CO₂**, equivalent to a reduction of **1 kg of CO₂** per installed kilogram.
Reduce your CO₂ footprint – install GreenBump®!



Technical specifications

Standard module length	600 mm
Width	500 mm
Height	70 mm
Weight per module	~20kg
Material	RTC (Reprocessed Thermo Composite)
Available colours	Yellow / Black / Custom (on request)
Load resistance	> 40 tons (heavy load vehicles)
Fixing system	Galvanised steel coach screw 16x200 / nylon plug without collar 20x200 / galvanised steel S-Large washer 16x30 (fixings supplied)

Contact

✉ contact@greenbump.eu
 🌐 www.greenbump.eu





GreenBump® : the only speed bump in the world with a 10-year warranty.

Designed to withstand loads exceeding 40 tons and to last up to 20 times longer than traditional speed bumps, **GreenBump®** delivers unmatched durability, even in high-traffic environments.

Manufactured in Europe (Belgium) from hard plastic waste previously considered non-recoverable, it is **100% recyclable** and comes with a **10-year warranty**.

Each GreenBump® helps save approximately 20 kg of CO2, equivalent to a reduction of 1 kg of CO2 per installed kilogram. **Reduce your CO2 footprint - install GreenBump!**

Its fast installation and minimal maintenance make it a **cost-effective and sustainable** solution for securing **logistics platforms, industrial zones, and other shared spaces.**

With **GreenBump®**, you choose **performance, reliability, and environmental commitment.**

